

KTMC SERIES Vertical Multistage Centrifugal Pumps



FEATURES

- High operating efficiency
- Precise parts for hygiene
- Dynamically balanced rotating parts
- Balanced and rigid constructions

MATERIAL OF CONSTRUCTION

Pump Shell	: SS304
Pump Base	: C.I
Motor Bracket	: C.I
Impeller	: SS304
Diffuser	: SS304
Shaft	: SS304
Mech. Seal	: Sic vs Sic vs Viton

APPLICATIONS

Water Treatment | Industrial Pressure Boosting
 Washing System | Water Supply
 High Rising Building | Garden Sprinkler
 HVAC | Fire Fighting System
 Aquaculture | ect.,

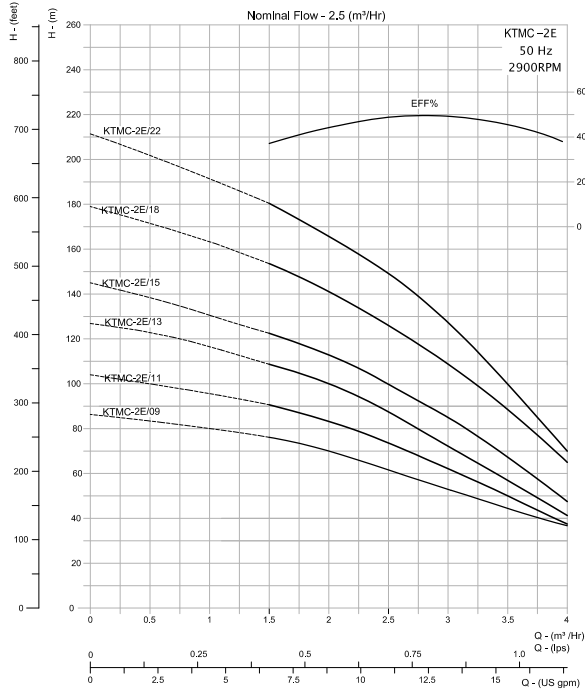
OPERATING RANGES

Liquid Temperature	: -15° C to 120° C
Ambient Temperature	: 40° C
Max. Working Pressure	: 20 bar
Insulation Class F	: "F"
Degree of Protection	: IP55

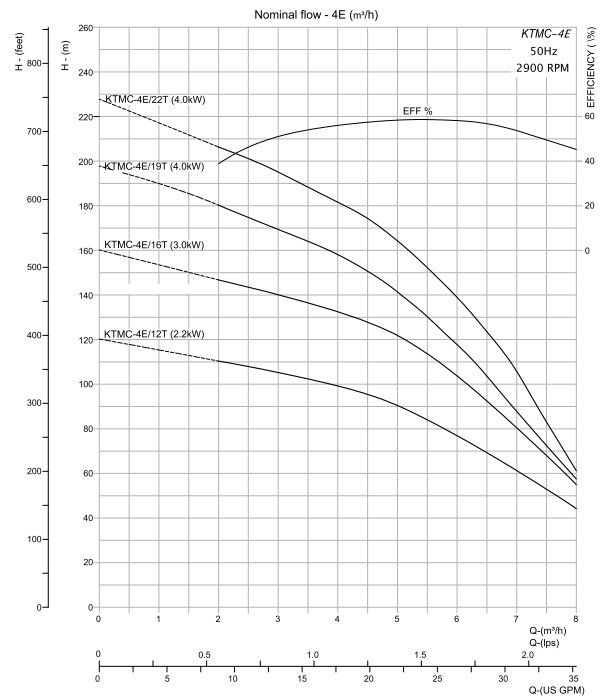


PERFORMANCE CURVE

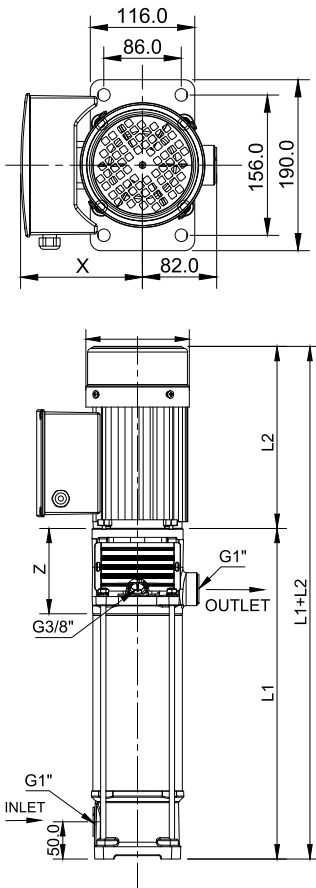
KTMC - 2E



KTMC - 4E



DIMENSION TABLE



KTMC - 2E

Pump Model	Model Power		Dimension in mm							Weight in kg		
			kw	HP	L1	L2		X		Ø	Z	Motor
	1Ph	3Ph				1Ph	3Ph	KTMC	1Ph			3Ph
KTMC - 2E/09	1.1	1.5	407.5	254	254	137.5	111.0	139	114.5	10	10.3	10.6
KTMC - 2E/11	1.1	1.5	443.5	254	254	137.5	111.0	139	114.5	11.8	10.3	10.6
KTMC - 2E/13	1.5	2	497.5	310	280	145.0	118.5	160	132.5	12	14.6	11.3
KTMC - 2E/15	1.5	2	533.5	310	280	145.0	118.5	160	132.5	12.7	14.6	11.3
KTMC - 2E/18	2.2	3	587.5	303	273	150.0	123.5	176	132.5	13.7	13.8	17
KTMC - 2E/22	2.2	3	695.5	303	273	150.0	123.5	176	132.5	15.2	13.8	17

The information / Performance / Specification / Description / Illustrations are subjects to change without notice.

KTMC - 4E

Pump Model	Model Power		Dimension in mm							Weight in kg		
			kw	HP	L1	L2		X		Ø	Z	Motor
	1Ph	3Ph				1Ph	3Ph	KTMC	1Ph			3Ph
KTMC - 4E/12	2.2	3.0	479.5	303	273	150.0	123.5	176	132.5	11.2	13.8	17
KTMC - 4E/16	3.0	4.0	551.5	-	311	-	123.5	176	132.5	12.6	-	17.7
KTMC - 4E/19	4.0	5.5	605.5	-	322.5	-	141.5	197	132.5	13.5	-	20.3
KTMC - 4E/22	4.0	5.5	659.5	-	322.5	-	141.5	197	132.5	14.5	-	20.3

The information / Performance / Specification / Description / Illustrations are subjects to change without notice.



ACNAL INDUSTRIES PRIVATE LIMITED

Coimbatore
 No. 43, Sundreshwara Nagar, Nalla Thanner Thottam,
 Sivananda Mills Road, Vilankuruchi, Coimbatore - 641 035.
 India. Phone : +91 - 709 403 3111

Bangalore
 Unit No. 209, A Wing, Carlton Towers,
 No. 1, Old Airport Road, Bangalore - 560 008.
 India. Phone : +91 70940 33000